



Mega CatchTM

Mosquito Trap



Operation Manual / Warranty

ALPHA Model MCA-600c

rev 0708_5C

Important Safety Instructions

- Keep children and pets away from the Trap.
- When the Trap is not in use disconnect power, store Trap indoors and out of reach of children.
- Always disconnect power before cleaning, servicing or inspecting the inside of the Trap.
- Plug the power cord into a properly grounded electrical outlet protected from weather.
- Do not allow the Trap, transformer, power cord or plug to be immersed in water.
- Do not operate the Trap with a damaged transformer, power cord or plug.
- Ensure power cords are placed carefully to avoid causing a tripping hazard.
- Ensure the Trap is properly installed in accordance with this operation manual.
- Read and follow instructions in this operation manual carefully before operating the Trap.

Important Message

Your Mega-Catch™ Mosquito Trap is designed to reduce local mosquito populations, to the point that breeding cycles are interrupted, but it will not permanently eliminate them. Operate the Mega-Catch™ Mosquito Trap daily for 6-8 weeks. Over this time you should notice a decline in mosquito numbers. This means your Trap is doing its job.

Your Mega-Catch™ Mosquito Trap should be used in conjunction with other sensible control measures designed to manage mosquito problems:

- Eliminate standing water in low spots, ditches, gutters and similar areas
- Empty receptacles that collect water (e.g. bird baths and pot plant saucers)
- Reduce breeding sites by keeping grass mown
- Mosquito netting/screens can be used to provide mosquito-free areas
- Light coloured clothing is less attractive to some mosquito species and if tightly woven, can give some protection against biting
- DEET is considered the most effective mosquito repellent, but should not be used too heavily

Trap Siting

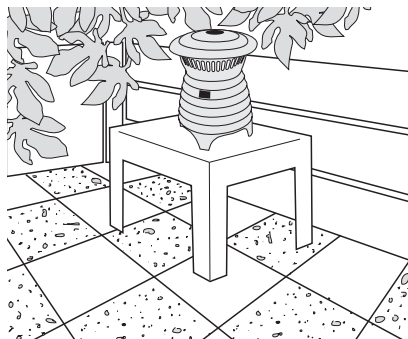
The Mega-Catch™ ALPHA Mosquito Trap can be used indoors or outdoors.

Place your ALPHA Trap on a flat surface approximately 2 to 3 feet (0.75 - 1metre) above floor or ground level.

Alternatively, install a metal ring (keyring loop) through the hole on the lid, and hang or suspend the trap so it is approximately 2 to 3 feet (0.75 - 1metre) above floor or ground level.

Place the trap in a shaded area, protected from strong wind. Place the trap as far away from people and as close to the mosquito source as possible.

If severe weather conditions are predicted then store the Trap out of the weather.



Features of Mega-Catch™ ALPHA Mosquito Trap

The Mega-Catch™ ALPHA Mosquito Trap has been designed for indoor or outdoor use (NOTE: when operating the ALPHA Trap indoors, remove the Mega-Catch Octenol Fragrance Strip).

The ALPHA can operate unattended for long periods. It features an electronically controlled LED lighting system that produces intermittent light at oscillating frequencies selected to coincide with spectral sensitivity peaks for many mosquito species.

Mosquitoes attracted to the ALPHA by visual and other cues enter the Trap where they are collected in the Catch Bag.

Specifications

Power Source	AC/DC Adaptor	Registration No. 28883 Pest Control Products Act
UL Listing	48ST E198424	U.S. Patents Pending
Input	120V AC 60HZ 30W	U.S. Trade Mark Reg. No: 2,679,688
Output	12V DC1.2A	CAN Trade Mark Reg. No: TMA623.018



MADE IN CHINA for:
Envirosafe Technologies NZ Limited
Unit 10, 6 Omega St, Albany
Auckland, New Zealand
info@megacatch.com www.megacatch.com

Mega-Catch™ is a trademark of Envirosafe Technologies NZ Ltd.

Initial Set Up Instructions

Before attempting operation of your ALPHA Trap, follow these instructions:

1. Remove the Trap from the carton.
2. Remove the box containing the transformer.
3. Remove base of Trap - turn counter-clockwise.
4. Attach the Catch Bag to the plastic Catch Bag holder by stretching elastic neck of Catch Bag over ribs of Catch Bag holder. (see diagram below)
5. Attach the Catch Bag to the Fan Base inside the Trap. (see diagram below)
6. Replace base of Trap - turn clockwise.
7. Your ALPHA Trap comes with a low-voltage transformer with weatherproof connectors. Plug the transformer cable into the connection point at the base of the Trap.
8. Plug transformer into mains power. Turn power on.
9. When the Trap is operating, the Fan should be running, and the LED lights should be flashing intermittently. If the Trap is not operating correctly then re-read these instructions or refer to the Problem Solving section or email us at info@megacatch.com.

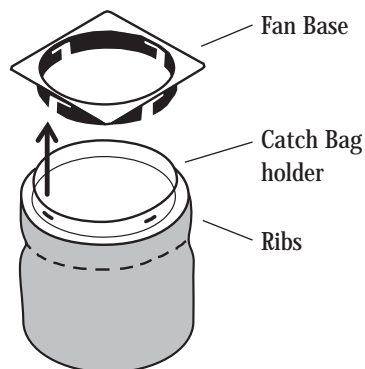
Removing the Catch Bag

To remove the Catch Bag from the Trap, follow these steps:

Before removing the Catch Bag, disconnect the power to your Mega-Catch™ Mosquito Trap so that the Fan is not operational. Then crush the base of the Catch Bag in your hand to kill any mosquitoes that do remain alive. Remove Catch Bag by twisting Catch Bag holder anti-clockwise. Dispose of Catch Bag contents well away from your dwelling so as not to attract ants.

Mosquitoes collected in the Catch Bag will usually die very quickly without access to moisture. In cooler climates they may live for a longer period. In times of heavy infestations of mosquitoes, it may be necessary to empty the Catch Bag on a regular basis in order to ensure optimum operation of the Trap.

Catch Bags should be hand washed in warm soapy water from time to time. Replacement Catch Bags are a consumable item and are available from your Authorized Distributor.



Optional Mega-Catch™ Octenol Fragrance Strip

Some, but not all, mosquito species are attracted to minute quantities of a chemical called octenol (1-OCTEN-3-OL).

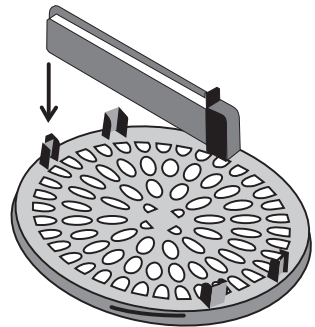
To install or replace the Octenol Fragrance Strip:

1. Ensure the power to your Mega-Catch™ Mosquito Trap is disconnected.
2. Remove base - turn counterclockwise.
3. Remove the Mega-Catch™ Octenol Fragrance Strip from its pouch and be careful not to touch the exposed holes on its surface. Place the strip inside the base in the position shown below. Replace base. Reconnect power. Wash your hands after this procedure has been completed.

Mega-Catch™ Octenol Fragrance Strips should be effective for up to 30 days depending on weather conditions.

ATTENTION: Keep Mega-Catch™ Octenol Fragrance Strips out of reach of children. Read directions and Important Safety Instructions carefully before use.

Installing Optional Octenol Strips



Product made in China for:
Envirosafe Technologies NZ Limited
Unit 10, 6 Omega St, Albany
Auckland, New Zealand
info@megacatch.com www.megacatch.com

Problem Solving

If your Mega-Catch™ Mosquito Trap fails to operate:

- Check that the Power Cable is properly connected to both the Trap and the mains, and that the power is switched on. Check that power cables have not been cut or damaged.

If this fails then contact us at info@megacatch.com - or call the Service Centre number (refer to Warranty section).

If the lights in the Mega-Catch™ Mosquito Trap come on but the Fan fails to operate:

- Check whether there has been a build up of material in the Fan which is preventing the Fan blade from turning (Refer to Care of Your Trap section).

If these steps fail then contact us at info@megacatch.com - or call the Service Centre number (refer to Warranty Section).

NOTE: Do not attempt to access the internal electronic components of your Mega-Catch™ Mosquito Trap. Opening of sealed units will void your warranty.

Care of Your Trap

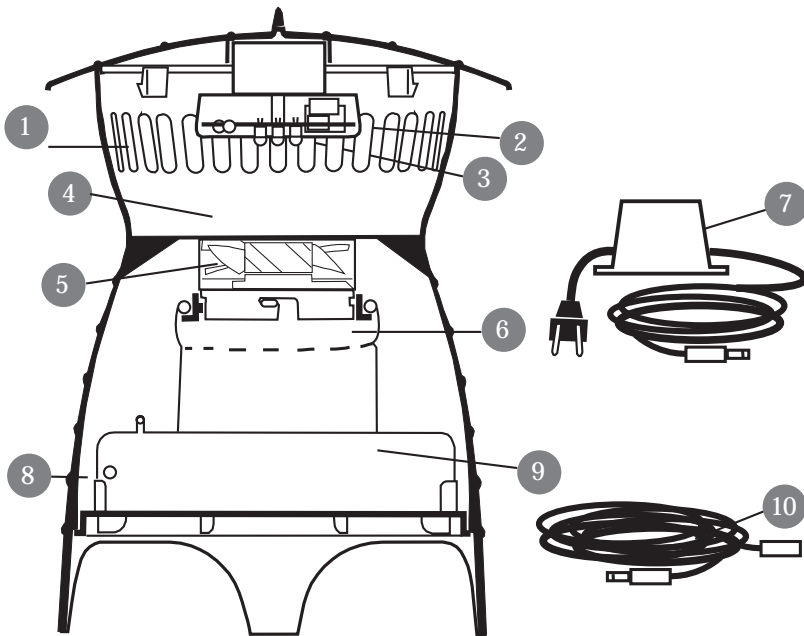
Your Mega-Catch™ Mosquito Trap requires very little maintenance. The Catch Bag should be cleaned and washed when required.

Heavy catches of mosquitoes may result in a build-up of material in the internal casing and blade tips of the Fan. If this happens use the following cleaning technique:

1. Ensure the power to your Mega-Catch™ Mosquito Trap is disconnected.
2. Using a small sponge or toothbrush and warm soapy water, reach into the Trap and carefully clean the inside casing of the Fan and the Fan Blades.
3. Ensure that water is not allowed to enter into the Fan Motor. Never hose water into the Fan.
4. Leave the Trap to dry for at least 24 hours before recommencing operation.

Parts List

Description	Part No.		
1. Mega-Catch™ Alpha Mosquito Trap	MCA-600	6. Catch Bag	MC-A111
2. Control Box	MC-A05	7. Transformer	MC-A20
3. Light Emitting Diodes		8. Power Connection	
4. Reflective Surface	MC-A211	9. Octenol Fragrance Strip (optional extra)	MC-PU224
5. Fan Unit	MC-A210	10. Extension Cord (optional extra)	MC-A20X



Need Help?

For service, repair or any questions concerning Mega-Catch™ products, contact us at info@megacatch.com - or call the Service Centre number (refer to Warranty Section).

Do NOT return products to the place of purchase. Do NOT return products to an Authorized Distributor.

You may also want to consult our website: www.megacatch.com.

Manufacturer's One Year Limited Warranty

(applies only in the United States and Canada)

What does it cover?

- Any parts found to be faulty due to defects in materials or workmanship.

For how long?

- One year after the date of original purchase from Authorised Distributor.

What will we do to help you?

- Repair the product or help you, or provide you with a reasonably similar replacement product or part that is either new or factory refurbished.

How do you get service?

- **DO NOT RETURN PRODUCTS TO THE PLACE OF PURCHASE. DO NOT RETURN PRODUCTS DIRECTLY TO AN AUTHORIZED DISTRIBUTOR.**
- Proof of purchase (e.g. sales receipt) is required before warranty service is rendered
- For warranty service, email us at info@megacatch.com or call the Service Centre number shown below for a return authorization number and return instructions. All returns must be sent via prepaid freight.

What does your warranty not cover?

- Damage from commercial use
- Damage from misuse, abuse or neglect
- Damage that is the result of an accident, normal wear and tear or incorrect assembly / operation / maintenance.
- Damage during shipping
- Damage resulting from repairs attempted by persons other than the manufacturer or its authorized repair agents.
- Lamps and lighting bulbs and consumable items, e.g. Catch Bags and optional octenol fragrance strips.
- Shipping and handling costs associated with the replacement of the product or part.
- Consequential or incidental damages (please note, however, that some states do not allow the exclusion or limitation of consequential or incidental damages, so this limitation may not apply to you).

Are there any other warranties?

- No. This warranty is in lieu of any other warranty, express or implied.
No-one else is authorized to give any warranty on behalf of the manufacturer.

How does state law relate to this warranty?

- This warranty gives you specific legal rights, and you may also have other rights that vary from state to state or province to province.

PARTS • ACCESSORIES • SERVICE

For service, repair, parts and accessories

Email us at info@megacatch.com

or call toll free: 1-800-731-3946